



# INSTA-PANEL™ SERIES

## MODEL NSTA2620VA200

### DESCRIPTION

Frequently jobs are done on a fast track basis in our industry. **Insta-Panels** were created for a fast turnaround on a control panel job, saving time and labor. **Insta-Panels** are built at Kele in three sizes: small, medium, and large. Each panel is set up with transformer(s), terminal blocks, wire duct, convenience outlet, additional DIN rail and a perforated back panel for easy mounting of customer parts. Pick your size panel based on the interior space needed for mounting components.

### FEATURES

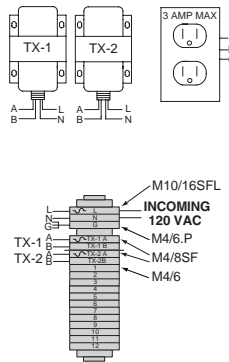
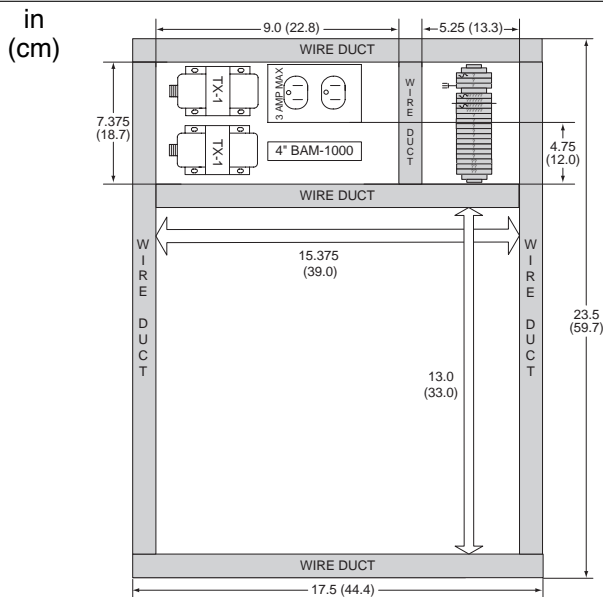
- NEMA 1 enclosure
- Convenience outlet
- An extra piece of DIN rail is provided
- Fused primary (incoming 120 volt 10 Amp)
- Fused secondary (24 volts 4 amps)
- White wire duct 3" high x 1" wide
- Separation of high and low voltage wiring
- Prewired power terminals, primary and secondary
- Blown fuse indication on incoming 120 VAC
- Perforated back panel



### SPECIFICATIONS

<b>Power</b>	(2) 120/24 Volt transformer 200 VA
<b>Weight</b>	45 lb (20.4 kg)
<b>Panel size</b>	26"H X 20"W X 7"D (66 x 50.8 x 17.8 cm)
<b>Panel Color</b>	Dark brown body and light tan door
<b>Interior panel mounting dimensions</b>	See detail

### DIMENSIONS / WIRING



### Bill of Materials

- 1 - RET2620 Enclosure and Perf Panel
- 2 - 691-K1 Transformer
- 1 - PRK Duplex Receptacle
- 1 - BAM-1000 Aluminum DIN Rail
- 1 - M10/16SFL Primary Fuse Holder
- 1 - M4/6.P Grounding Terminal Block
- 15 - M4/6 Terminal Block
- 2 - M4/8SF 8mm Fuseholder
- 2 - FEM8S Fuse Holder End Section
- 2 - FEM6 End Section
- 3 - BAM2 End Stop
- 1 - RC610/1-50 Marker Tags
- 1 - RC610/B Blank Marker Tag
- 2 - T1-1030W White Wiring Duct
- 1 - GF-10 Primary Fuse
- 2 - K235-4 Secondary Fuse
- 1 - LEN indication lamp for blown fuse

### ORDERING INFORMATION

MODEL	DESCRIPTION
NSTA2620VA200	26" x 20" Insta-Panel, (2) 100 VA transformers, outlet, 12 available terminal blocks